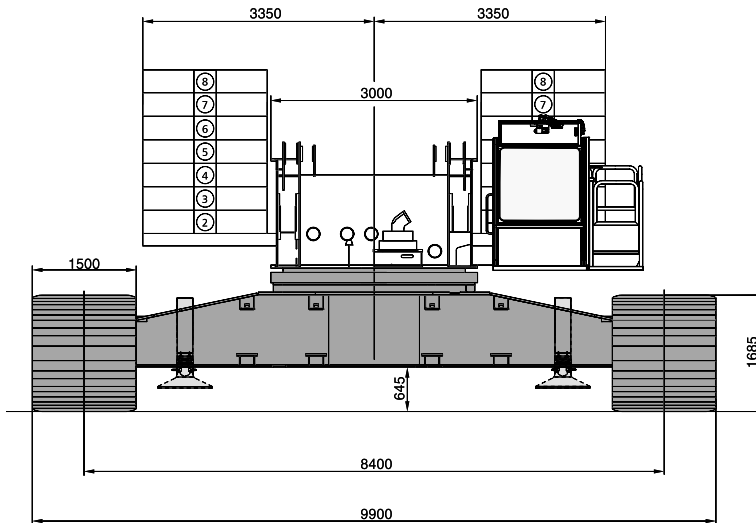
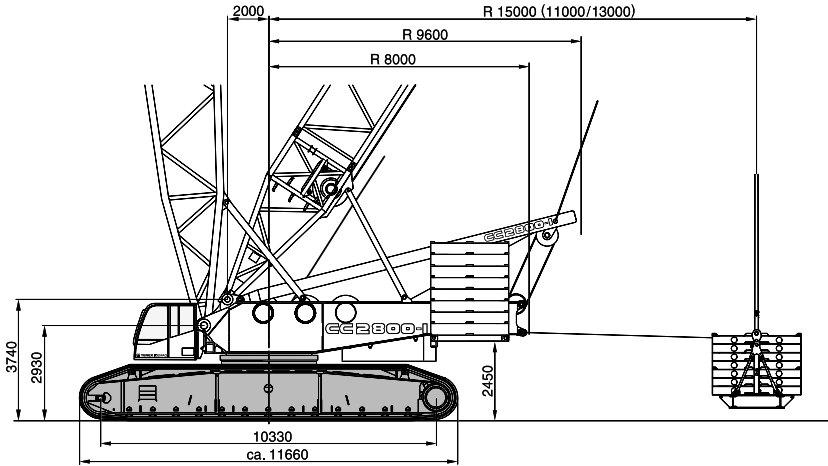


Demag CC 2800-1

Basic Crane Dimensions



600
Tonne
Crawler Cranes

The charts that have been included have been reproduced from manufacturer specifications, and while every effort has been made to ensure their accuracy, we do not accept any responsibility for errors or omissions. We also need to draw your attention to the guidance notes on page 47 to assist you with your crane selection.

Demag CC 2800-1

Lifting Capacities of the Main Boom,
Configuration SH & SH / LH

180t Counterweight + 60t Carbody Counterweight														
Configuration	SH							SH / LH						
Boom Length (m)	24	30	36	42	48	54	60	66	72	78	84	90	96	102
Radius (m)														
6	600													
7	561	554	567											
8	506	502	499	496	494									
9	410	408	407	406	405	404	404							
10	337	335	334	332	331	330	330	329*	301*					
12	247	245	243	241	240	239	239	244	244	236*	212*	154	137	
14	193	191	190	188	186	185	185	190	190	182*	181*	154	137	108
16	158	156	154	152	151	150	149	154	154	153	145*	142	127	99
18	133	131	129	127	126	125	124	123	129	129	120*	127	118	91
20	115	113	111	109	107	106	105	104	110	110	107	108	108	84
22	101	98.5	96.5	94.5	93	91.5	90.5	89.5	95.5	95	94.5	94	93	78
24		87.5	85	83	81.5	80	79	78	84	83.5	82.5	82	81.5	72
26		78	76	73.5	72	70.5	69.5	68.5	74	74	73	72.5	72	68
28		70.5	68	66	64	63	61.5	60.5	66.5	66	65	64.5	64	63.5
30			62	59.5	57.5	56.5	55	54	59.5	59	58.5	57.5	57	56.5
34				49.5	47.5	46.1	44.8	43.6	49.1	48.7	47.8	47.2	46.6	46.1
38				42.1	39.9	38.3	36.7	35.2	41	40.5	39.6	39	38.4	37.8
42					34.1	31.9	30.2	28.7	34.6	34.1	33	32.3	31.5	30.9
46						27	25.1	23.4	29.3	28.7	27.5	26.8	26	25.4
50							21	19.3	24.8	24.2	23	22.2	21.4	20.8
54							17.8	15.9	21.2	20.5	19.3	18.5	17.7	17
58								13.2	18.1	17.4	16.1	15.3	14.5	13.8
62									15.5	14.7	13.5	12.6	11.7	11.1
66										12.5	11.2	10.3	9.4	8.7
70										10.6	9.2	8.3	7.3	6.6
74											7.6	6.5	5.5	4.8
78												5	4	

Note: * = SH Boom Configuration
Lifting capacities are shown in metric tonnes

600
Tonne

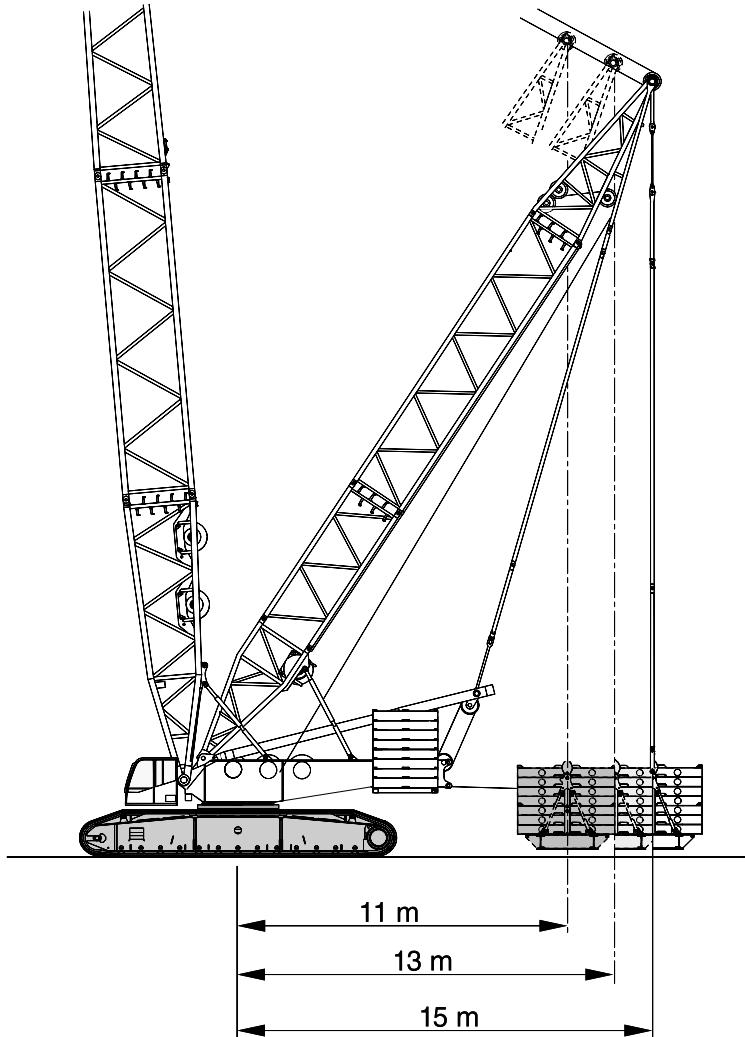
Crawler Cranes

CC12

The charts that have been included have been reproduced from manufacturer specifications, and while every effort has been made to ensure their accuracy, we do not accept any responsibility for errors or omissions. We also need to draw your attention to the guidance notes on page 47 to assist you with your crane selection.

Demag CC 2800-1

Standard SL Configuration



600
Tonne
Crawler Cranes

Hookblock

Capacity (t)	600 / 247	400 / 196	110	50	16
Weight (t)	12 / 7.9	10 / 6.2	3.6	2.8	0.9

The charts that have been included have been reproduced from manufacturer specifications, and while every effort has been made to ensure their accuracy, we do not accept any responsibility for errors or omissions. We also need to draw your attention to the guidance notes on page 47 to assist you with your crane selection.

Demag CC 2800-1

Lifting Capacities of the Main Boom with Superlift, Configuration SSL

Boom Length (m)	180t Counterweight + 60t Carbody Counterweight																		
	36		42		48		54		60		66		72		78		84		
	0t	300t	0t	300t	0t	300t	0t	300t	0t	300t	0t	300t	0t	300t	0t	300t	0t	300t	
Superlift Ballast Radius (m)																			
7	578	600																	
8	505	600	504	593	504	580													
9	427	600	425	593	426	580	427	525	424	476									
10	358	599	356	593	355	580	354	525	354	476	353	414	350	373					
12	261	583	259	574	258	580	257	525	257	476	256	414	255	373	255	316	253	281	
14	204	519	202	516	201	514	200	512	199	476	198	414	198	373	197	316	195	281	
16	166	454	165	451	163	449	162	448	161	446	160	409	160	373	159	316	157	281	
18	140	403	138	401	136	399	135	397	134	395	133	388	133	362	132	315	130	281	
20	120	363	118	360	116	358	115	356	114	354	113	353	112	345	112	306	110	278	
22	104	323	102	326	101	324	100	322	99	321	98	319	97	318	96	298	94.5	271	
24	92.5	284	90.5	294	89	293	87.5	293	86.5	292	85.5	291	84.5	289	83.5	288	82	265	
26	82.5	251	80.5	269	79	267	77.5	266	76.5	265	75.5	265	74.5	264	73.5	264	72	259	
28	74.5	222	72.5	245	70.5	244	69.5	244	68	243	67	242	66	242	65	241	63.5	240	
30	67.5	196	65.5	220	63.5	226	62.5	224	61	224	60	223	59	221	58	221	56	219	
34		54.5	178	52.5	193	51	192	50	191	48.9	189	47.8	188	46.8	187	44.8	186		
38			46.8	143	44.6	161	43	167	41.6	165	40.3	164	38.9	163	37.7	162	35.6	160	
42					38.4	133	36.5	146	34.8	146	33.3	144	31.8	143	30.6	142	28.4	140	
46							31.3	123	29.3	130	27.7	129	26.2	127	24.8	126	22.7	124	
50									25	113	23.2	115	21.6	114	20.2	113	18	111	
54									21.6	96.5	19.6	103	17.8	103	16.3	102	14.1	100	
58											16.7	89.5	14.7	94	13.2	93	10.9	91	
62													12.2	82.5	10.5	85	8.2	83	
66															8.3	75.5	5.9	76	
70																6.6	66		
74																			60

Note: Lifting capacities are shown in metric tonnes, with the Superlift ballast tray at 15m radius. Lifting capacities are also available upon request with the Superlift ballast tray at either 13m or 11m radius, and with less than the maximum 300t superlift ballast installed.

The charts that have been included have been reproduced from manufacturer specifications, and while every effort has been made to ensure their accuracy, we do not accept any responsibility for errors or omissions. We also need to draw your attention to the guidance notes on page 47 to assist you with your crane selection.

600
Tonne
Crawler Cranes

Demag CC 2800-1

Lifting Capacities of the Main Boom with Superlift, Configuration SSL / LSL

Boom Length (m)	180t Counterweight + 60t Carbody Counterweight																		
	90		96		102		108		114		120		126		132		138		
	0t	300t	0t	300t	0t	300t	0t	300t	0t	300t	0t	300t	0t	300t	0t	300t	0t	300t	
12	239	248	207	215															
14	202	248	202	214	173	181	147	153	129	134	119	122							
16	163	248	163	213	163	179	143	150	126	132	117	121	106	109	92	96	79	82	
18	136	248	136	212	136	178	135	147	124	131	115	120	104	108	90	95	77	80	
20	116	246	116	211	115	176	114	145	114	145	114	129	112	103	88	94	74	78	
22	100	241	100	209	99.5	174	99	142	98.5	127	98.5	117	98.5	107	87	93	72	78	
24	88	235	87.5	205	87	172	86	139	86	126	86	115	85.5	106	84.5	92	70	77	
26	77.5	230	77	202	77	170	76	136	75.5	124	75.5	114	75.5	105	74.5	91	69	75	
28	69	224	68.5	199	68	168	67.5	133	67	122	67	112	66.5	104	65.5	90	65	74	
30	62	212	61.5	194	61	166	60	130	60	120	59.5	111	59.5	103	58.5	89	58	73	
34	50.5	191	50	178	49.6	156	48.7	124	48.4	117	48.3	107	48	101	47	87	46.3	71	
38	41.7	166	41.2	163	40.8	145	39.7	119	39.3	113	39.1	104	38.8	99	37.6	86	36.8	68	
42	34.5	146	33.9	145	33.4	134	32.4	114	32	108	31.7	100	31.4	97	30.2	85	29.4	66	
46	28.7	129	28	129	27.5	124	26.4	108	26	104	25.8	97	25.4	94	24.2	83	23.4	63	
50	23.8	116	23.2	115	22.6	114	21.5	103	21.1	99	20.8	93	20.4	91	19.3	82	18.5	61	
54	19.8	105	19.1	104	18.5	104	17.4	98	17	95	16.7	90	16.3	88	15.2	80	14.3	58	
58	16.4	95.5	15.7	95	15.1	94.5	14	93	13.5	91	13.2	86	12.8	85	11.7	78	10.8	55	
62	13.5	87.5	12.7	87	12.1	86.5	11	85.5	10.5	85	10.3	82	9.8	82	8.6	75	7.8	52	
66	11	80.5	10.2	80	9.6	79	8.4	78.5	7.9	78	7.7	77.5	7.2	77	6	73	5.2	49	
70	8.8	74	8	73.5	7.4	73	6.2	72	5.7	71.5	5.4	71.5	4.9	71	69.5	67	46		
74	6.9	68.5	6.1	68	5.4	67.5	4.2	66.5	4.2	66	4.2	66	4.2	65.5	64.5	64.5	42		
78	5.3	61	4.4	63		62.5		61.5		61		61		60.5	59.5	59.5	39		
82				56.5		58		57.5		57		56.5		56	55	55	36		
86						52.5		53		53		52.5		52	51	51	33.9		
90						47.2		48		48		48.8		49.1	48.7	48.7	32.9		
94								43.1		44.3		45		45	45	45	31.9		
98										40		41		41.3	40.2	40.2	30.9		
102												37.1		37.7	36.9	36.9	29.8		
106												33.3		34.2	33.6	33.6	28.8		
110														30.7	30.7	30.7	27.8		
114																	26.8		
118																	24.4		
122																	21.6		

Note: Lifting capacities are shown in metric tonnes, with the Superlift ballast tray at 15m radius. Lifting capacities are also available upon request with the Superlift ballast tray at either 13m or 11m radius, and with less than the maximum 300t superlift ballast installed

600
Tonne
Crawler Cranes

The charts that have been included have been reproduced from manufacturer specifications, and while every effort has been made to ensure their accuracy, we do not accept any responsibility for errors or omissions. We also need to draw your attention to the guidance notes on page 47 to assist you with your crane selection.

Demag CC 2800-1

Lifting Capacities of the Luffing Jib with Superlift, Configuration SWSL

Configuration	48m Boom + 48m Luffing Jib		66m Boom + 66m Luffing Jib		84m Boom + 84m Luffing Jib	
	180t + 60t	160t + 0t	180t + 60t	160t + 0t	180t + 60t	160t + 0t
Crane Ballast	15m	15m	15m	15m	15m	15m
Superlift Radius	0t	300t	0t	300t	0t	300t
Superlift Ballast	85°	75°	85°	75°	85°	75°
Main Boom Angle	85°	65°	85°	65°	85°	65°
Radius (m)						
24	100	162				
26	90	162				
28	81.5	160				
30	74	157	69	79		
34	62.5	149	57.5	79		
38	53.5	136	49.3	78	38	40
42	46.9	120	42.5	75	36.7	40
46	41.3	102	37	73	31.6	39
50	36.7	86.5	32.5	69	27.3	38
54		105	28.8	66	23.8	37
58		93	25.5	62.5	20.6	36
62		84.5	22.6	60.5	17.8	35
66		78	20.1	58	15.4	34
70			18	51	13.3	33
74				70	11.4	32
78				65.5	9.8	31
80				61	9.1	30
82				53.5	8.4	29
86				52	7.1	28
90				48.8	6	27
94				45.9		
98				43.4	34	26.5
102					33	26.5
106					31	26.1
110						25.5
114						24.7
118						23.7
122						22.8
126						16.7
130						15.6
						14.5
						13.6

Note: Lifting capacities are shown in metric tonnes.
Lifting capacities are also available upon request with the Superlift ballast tray at either 13m or 11m radius, and with less than the maximum 300t superlift ballast installed

The charts that have been included have been reproduced from manufacturer specifications, and while every effort has been made to ensure their accuracy, we do not accept any responsibility for errors or omissions. We also need to draw your attention to the guidance notes on page 47 to assist you with your crane selection.

600
Tonne

Crawler Cranes